

# Hepa Filters

Hepafil 78

## Application

HEPA Filters are used in situations requiring high or very high levels air purity. Typical applications can be found in hospitals, microelectronics, medicine, chemistry, pharmacy, microbiology, laboratories and food industry.

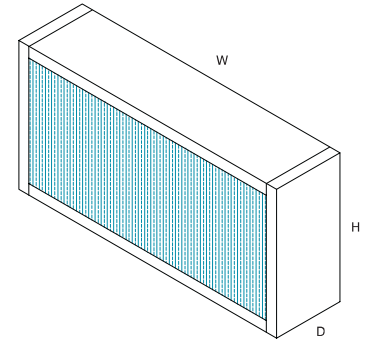
## Advantages

- For laminar flows
- Large filter surface
- Low pressure drop, reduced energy consumption
- Optimised velocity distribution
- Guaranteed leak-free
- Mechanically stable
- Minimum risk of damage
- One piece, no leak gasket



## Properties

FILTER CLASS ( EN1822)	H10	H13	H14	U15
Global Efficiency % for MPPS	≥ 95 %	≥ 99,95 %	≥ 99,995 %	≥ 99,9995%
Local Efficiency % for MPPS	-	99.75%	99.975%	99.9975%
Recommended Final Pressure Drop	600 Pa	600 Pa	600 Pa	600 Pa
Max. Final Pressure Drop	1000 Pa	1000 Pa	1000 Pa	1000 Pa
Continuous Temperature Resistance	80°C	80°C	80°C	80°C
Max. Relative Humidity Resistance	100%	100%	100%	100%
Frame	Aluminium and MDF			
Face Guard	Epoxy painted expanded aluminium grids on both sides			
Gasket	One piece foamed polyurethane			
Fire Resistance Class	K1 / F1 according to DIN 53438			
Filter Stage	III			
TESTING	Each filter individually tested according to EN 1822			



For MDF Frame filters one and two side with protective grids optional

Code/Dimensions WxHxD	Width mm	Height mm	Depth mm	Air Flow m <sup>3</sup> /h	Initial Pressure Drop Pa	Filtering Surface m <sup>2</sup>
HF-ARM-305x305x78-H10	305	305	78	150	70	2.5
HF-ARM-457x457x78-H10	457	457	78	340	70	5.6
HF-ARM-305x610x78-H10	305	610	78	300	70	5.0
HF-ARM-610x610x78-H10	610	610	78	600	70	10.0
HF-ARM-610x762x78-H10	610	762	78	750	70	12.3
HF-ARM-610x914x78-H10	610	914	78	900	70	15.0
HF-ARM-610x1220x78-H10	610	1220	78	1200	70	20.5
HF-ARM-305x305x78-H13	305	305	78	150	110	2.5
HF-ARM-457x457x78-H13	457	457	78	340	110	5.6
HF-ARM-305x610x78-H13	305	610	78	300	110	5.0
HF-ARM-610x610x78-H13	610	610	78	600	110	10.0
HF-ARM-610x762x78-H13	610	762	78	750	110	12.3
HF-ARM-610x914x78-H13	610	914	78	900	110	15.0
HF-ARM-610x1220x78-H13	610	1220	78	1200	110	20.5
HF-ARM-305x305x78-H14	305	305	78	150	120	2.5
HF-ARM-457x457x78-H14	457	457	78	340	120	5.6
HF-ARM-305x610x78-H14	305	610	78	300	120	5.0
HF-ARM-610x610x78-H14	610	610	78	600	120	10.0
HF-ARM-610x762x78-H14	610	762	78	750	120	12.3
HF-ARM-610x914x78-H14	610	914	78	900	120	15.0
HF-ARM-610x1220x78-H14	610	1220	78	1200	120	20.5

## PRODUCTCODE

H F • A R M • w / h / d • H 11

